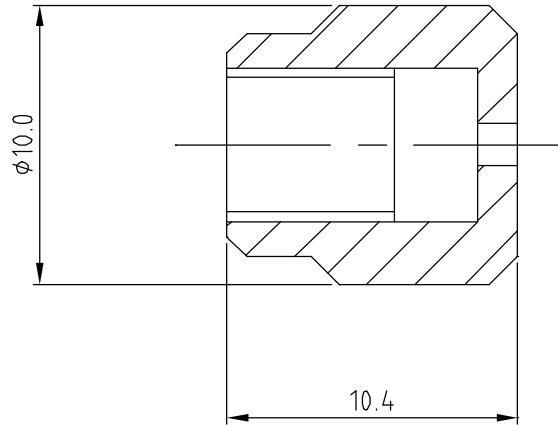
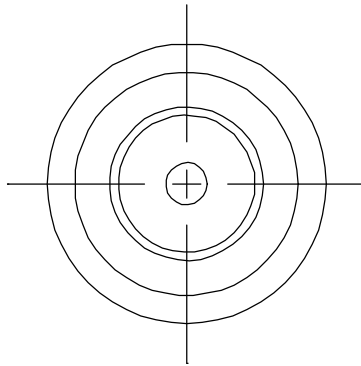
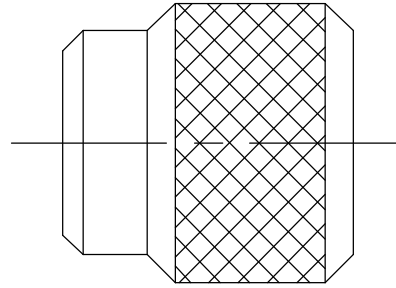


3rd ANG PROJECTION

ALL DIMS IN MM UNLESS STATED

REV	DESCRIPTION	DATE	APPROVED
1	INITIAL ISSUE	050193	DNL
2	DIAMOND KNURL WAS STRAIGHT	060794	DNL



NOTES:

EUROPLUS FIBRE OPTICS
 Unit 2, Deben Way, Melton, Woodbridge, Suffolk IP12 1RB
 Tel: (01394) 386811 Fax: (01394) 380572

GEN TOLS
 0 = +/-0.5
 0.0 = +/-0.3
 0.00 = +/-0.1

DESCRIPTION
 DIN ADAPTOR DUST CAP

MATERIAL 303 ST STL	THIS DOCUMENT CONTAINS PROPRIETARY INFORMATION WHICH SHALL NOT BE REPRODUCED, TRANSFERRED TO OTHER DOCUMENTS, DISCLOSED TO OTHERS USED FOR MANUFACTURING OR ANY OTHER PURPOSE WITHOUT THE WRITTEN AUTHORISATION OF EUROPLUS FIBRE OPTICS Ltd.	DRAWN CDD	DATE 070696	SIZE	FILE NAME	DWG. No	REV.
FINISH BEAD BLAST		CHKD DJD	DATE 070696		0207001	EFA02 07 001	2
ICE No:		DO NOT SCALE DRAWING		SCALE 4:1		SHEET 1 of 1	